

APP CRS Rwy Idg **8800**
 TDZE **1015**
 Apt Elev **1026**

RNAV (RNP) Z RWY 8L

HARTSFIELD-JACKSON ATLANTA INTL (ATL)

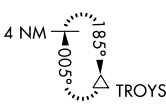
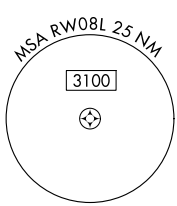
RNP AR APCH - GPS.

▼ For uncompensated Baro-VNAV systems, procedure NA below -5°C or above 54°C.
 For inop ALS, increase RNP 0.15 all Cats RVR to 5500. Simultaneous approach authorized. Arrival from BOLND NA during simultaneous triple approaches.

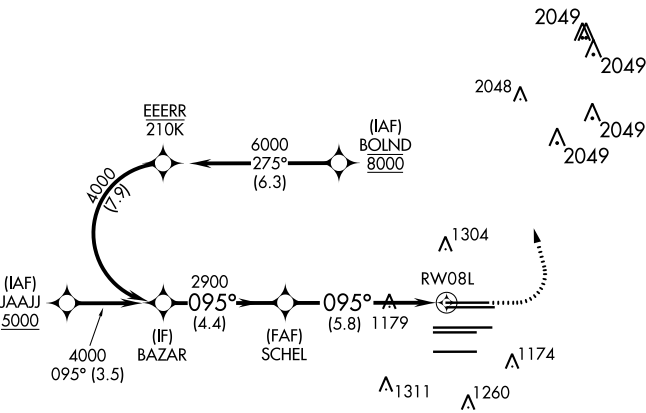


MISSED APPROACH: Climb to 1500 then dimbing left turn to 3500 direct TROYS and hold.

D-ATIS	ATLANTA APP CON	ATLANTA TOWER					ALL RWYS	GND CON	ALL RWYS
ARR 119.65		8L-26R	8R-26L	9L-27R	9R-27L	10-28	(8L-26R,8R-26L)	(9L-27R,9R-27L)	10-28
DEP 125.55	127.9 379.9	119.1	125.325	123.85	119.3	119.5	254.4	121.9	121.75 121.65 254.4



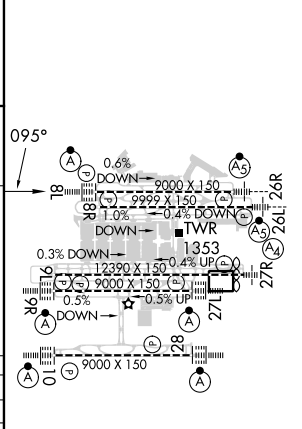
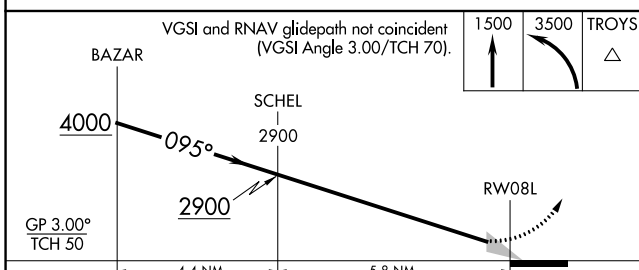
CLNC DEL	CPDLC
118.1	



SE-4, 11 JUL 2024 to 08 AUG 2024

SE-4, 11 JUL 2024 to 08 AUG 2024

ELEV 1026	D	TDZE 1015
-----------	----------	-----------



GP 3.00° TCH 50	4.4 NM	5.8 NM		
CATEGORY	A	B	C	D
RNP 0.15 DA		1380/35	365 (400-%)	
RNP 0.30 DA		1458/45	443 (500-%)	

AUTHORIZATION REQUIRED

HIRL all Rwys
 TDZ/CL Rwys 8L, 9R, 10, 26R, 27L and 28